

PLEASE READ

This manual is provided as a free service by Projector.com.

We are in no way responsible for the contents of the manual. We do not guarantee its accuracy and we do not make any claim of copyright. The copyright remains the property of their respective owners.

ABOUT PROJECTOR.COM

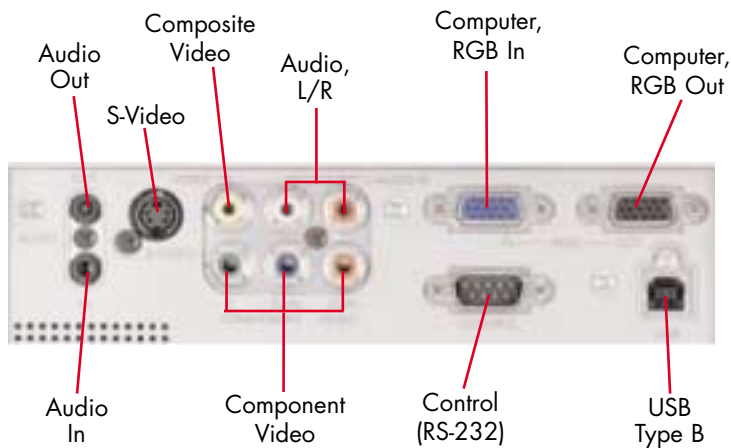
Projector.com (<http://www.projector.com>) is your review and buying guide resource for DLP and LCD video projectors.

Visit the site to read the latest projector news and reviews, read and comment on projector specifications, download user manuals and much more.



ImagePro 8055 Portable Powerful LCD Projector

- 1600 lumen brightness
- SVGA resolution
- Easy to transport, only 6.7 lbs.
- Full set of features, 4 inputs
- Monitor loopthrough
- Remote mouse control
- Component video
- Short throw lens



Exclusive five year warranty
the best warranty in the industry



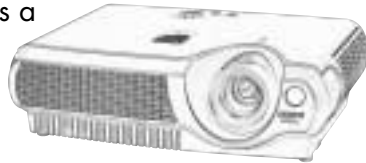
8055 DUKANE

ImagePro 8055 Premium-quality LCD projector

A new way of thinking about projection

The Dukane ImagePro 8055 is a projector that can be easily moved around while still providing higher image brightness and features to make your class or presentation easy. It is simple to use, transport, and can be setup in a minute.

This full-featured LCD projector is ideal for classrooms, conference rooms or other locations where a bright image is required. Use it as a portable or mount it on the ceiling.



Key features:

- SVGA (800 x 600) resolution
- 1600 ANSI Lumens of brightness
- Vibrant rich colored images
- Monitor loopthrough
- Remote mouse control
- Easy carry 6.7 lbs.
- Compatible with all types of video including HDTV
- "Custom Image" for your startup and blank screens
- Wide angle zoom lens permits closer placement to the screen
- "Silent Running" so you hear only your message
- RGB Component/Composite/S-video inputs
- Manual zoom and manual focus
- Vertical keystone correction
- 4:3, 16:9 and other modes
- Digital zoom and freeze functions
- Comes with soft case
- Five Year Warranty and 1 Year Peace of Mind Service

8055 Projection throw distance.

Screen Size 4:3		Throw Distance	
Diagonal*	Width*	Min*	Max*
40	32	47	56
60	48	71	85
80	64	95	114
100	80	119	143
120	96	143	171
150	120	179	215
200	160	240	287

Throw ratio: 1.5 - 1.8:1 (distance:width)

*Measured in inches

DUKANE

Audio Visual Products
2900 Dukane Drive
St. Charles, Illinois 60174
www.dukcorp.com/av

#11640-D-04



Toll-free: 800-676-2485
Fax: 630-584-5156
E-mail: avsales@dukcorp.com

ImagePro is a registered trademark of Dukane Corporation

Specifications

8055

Image Element	0.55" polysilicon active-matrix TFT x3
Brightness	1600 ANSI lumens (1280 lumens in Whisper Mode)
Resolution	800 x 600 pixels (H X V), SVGA
Contrast	300:1
Scanning Frequency	fh 31.5-91 kHz, fv 56-120 Hz
Lens	Manual zoom (F1.6 - 1.8), 1.2X
Lens Throw Ratio	1.5 - 1.8:1 throw distance to image width
Keystone Correction	Digital, vertical +/-15
Aspect Ratio	4:3, 16:9 compatible
Computer Compatibility	SVGA, VGA, XGA, plus SXGA/UXGA Compressed, Mac 13" and Mac 16"
Video Compatibility	NTSC, NTSC 4.43, PAL, PAL-M, PAL-N, PAL60, SECAM, S-video, HDTV 1080i, 720p, 575i, 480i/p
Component Video	
Image Control	Freeze function, electronic magnification and pan
Mouse Control	Using USB
Projection Modes	Front/rear/ceiling
Color Reproduction	24 bit (16.7 million)
Lamp	160 W UHB
Lamp Life	2000 hours (typical)
Audio	1 speaker, 1 watt
Throw Distance	47" to 287"
Screen Size, diagonal	40" to 200"
Inputs, Video	(1) Component, RCA x 3 (1) s-video, Min DIN 4-pin, (1) composite video, RCA x 1
Inputs, Computer	Audio, Stereo, RCA x 2 RGB Signal: D-sub, 15 pin
Outputs, Audio	Audio, Stereo mini jack
Outputs, Monitor	Stereo mini jack x 1
Outputs, Control	RGB Signal: D-sub, 15 pin 9 pin, D-sub, RS-232 USB Mouse Control
Security	Kensington lock slot
Fan Level	33dB, ultra quiet 29dB in Whisper Mode
Operating Temperature	32 to 95 deg. F (0-35 deg C)
Power	AC 90-132V, AC220-240V 50/60 Hz, 240 watt
Size (WxHxD)	13.1" x 3.6" x 10"
Weight	6.7 lbs.
Shipping Weight	15.2 lbs.
Carton Size	17" x 14" x 13"
Accessories Included	Remote control, batteries, power cord, Computer cable, operator's manual and soft carry case.
Safety	UL/CUL, FCC Class B
Optional Accessories	Lamp 456-8055, rolling briefcase 185-406, Ceiling mount, universal; PJF-UNV-S

Five (5) year limited warranty

on parts and labor in North America, lamp excluded (for other locations, local warranties apply). Includes Dukane's FREE 12 month Peace-of-Mind Loaner Program.

5YR

PLEASE READ

This manual is provided as a free service by Projector.com.

We are in no way responsible for the contents of the manual. We do not guarantee its accuracy and we do not make any claim of copyright. The copyright remains the property of their respective owners.

ABOUT PROJECTOR.COM

Projector.com (<http://www.projector.com>) is your review and buying guide resource for DLP and LCD video projectors.

Visit the site to read the latest projector news and reviews, read and comment on projector specifications, download user manuals and much more.